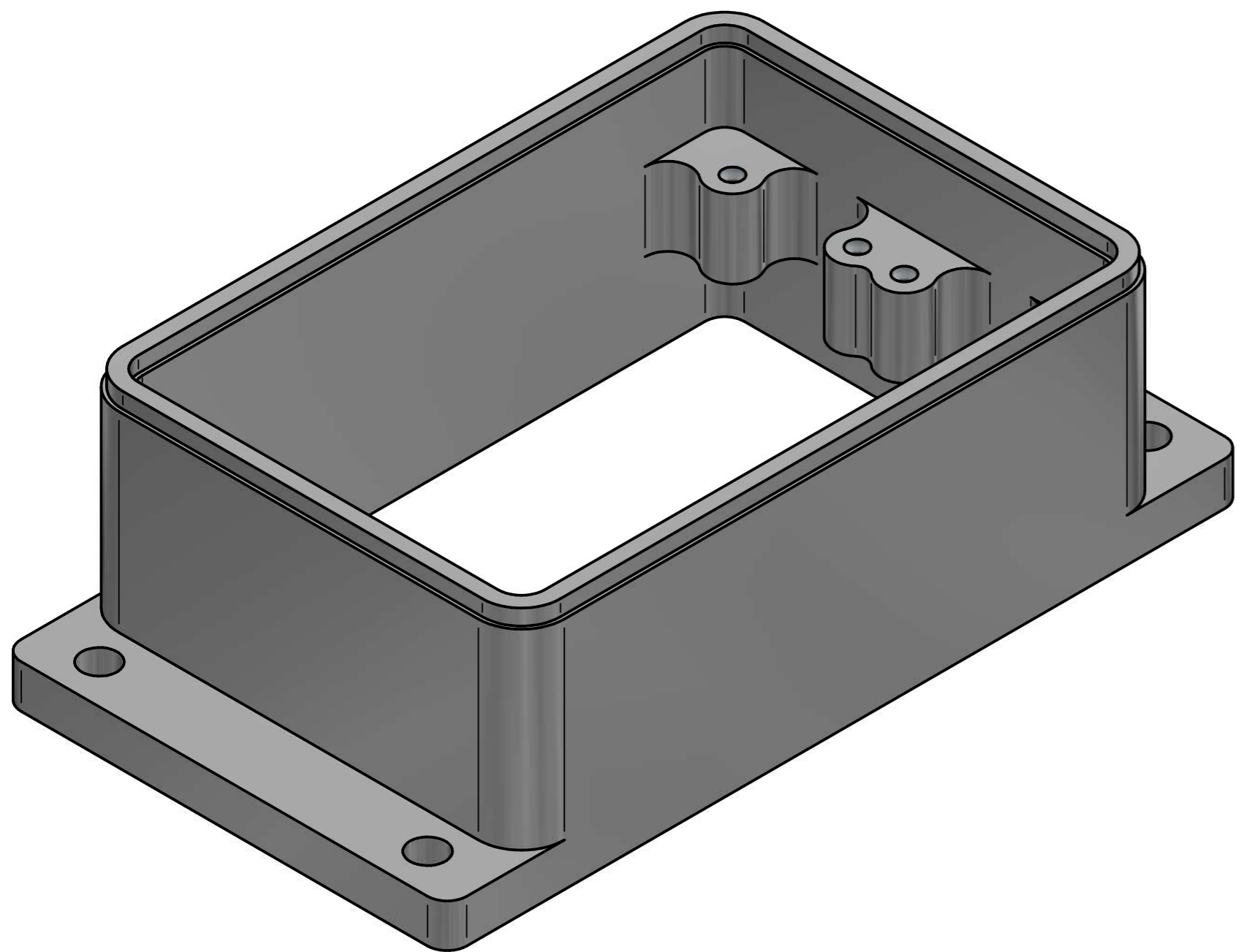
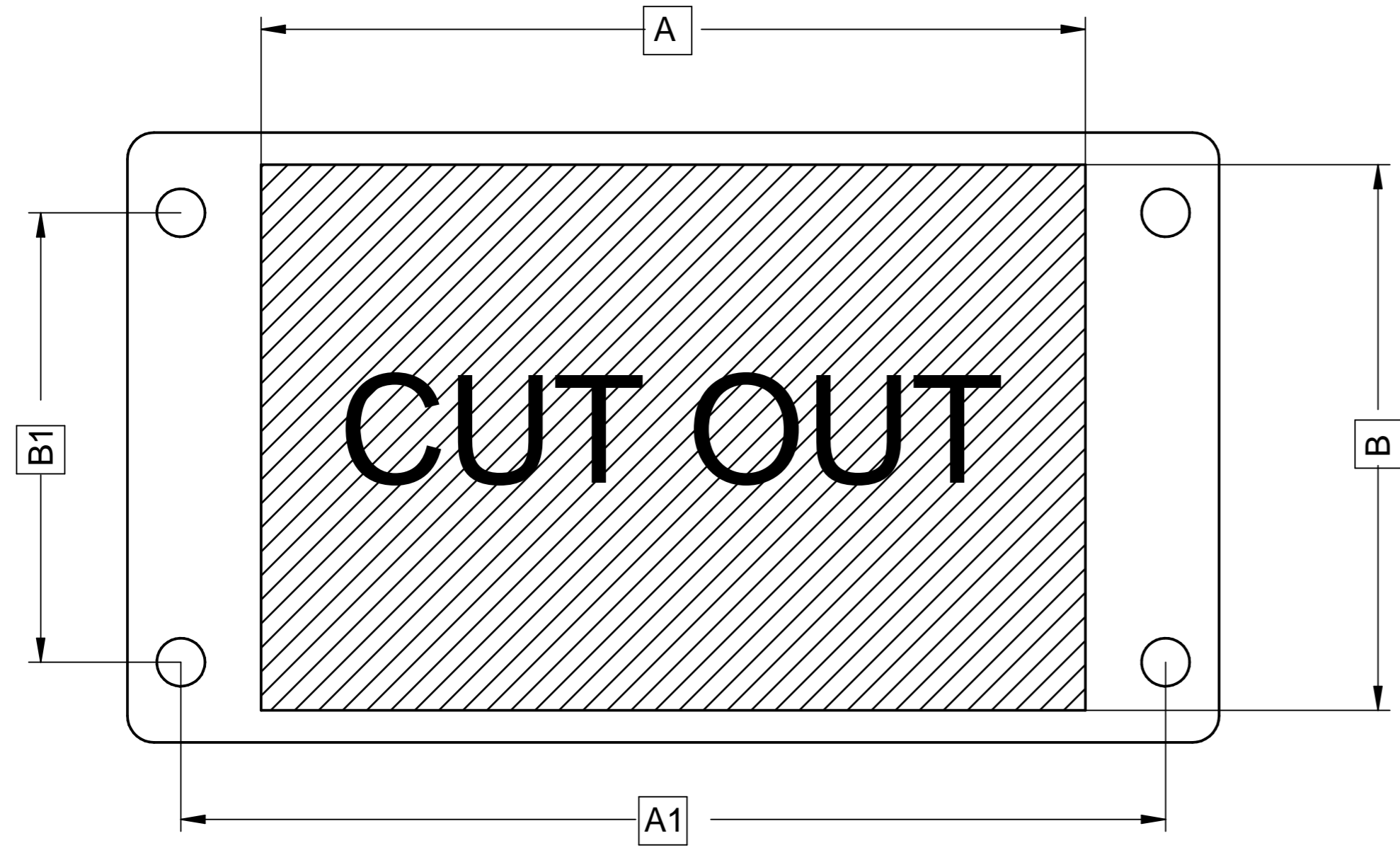
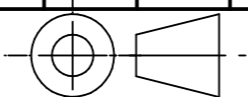
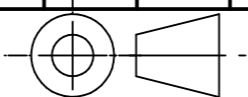


REVISION HISTORY			
REV	DESCRIPTION	DATE	APPROVED



PANEL CUTOUT DIMENSIONS FOR BULKHEAD HOUSING (BOTTOM OPEN HOUSING)

SR. NO.	CONNECTOR SIZE	MOUNTING HOLE CENTER		PANEL CUTOUT		HOLE DIA. (mm)
		A1 (mm)	B1 (mm)	A (mm)	B (mm)	
1	SAI 64 (32X2) CB	158	72	140	80	5
2	SAI 48 (24X2) CB	130	68	114	74	5
3	SAI 32 (16X2) CB	110	65	89	84	5
4	SAI 32 CB	158	32	142	37	5
5	SAI 24 CB	130	32	114	37	5
6	SAI 16 CB	103	32	88	37	5
7	SAI 10 CB	82.5	32	68	37	5
8	SAI 6 CB	70	32	54	37	5

ALL DIMENSION ARE IN MM		NAME	DATE
SHARP EDGES TO BE REMOVED UNLESS STATED		DRAWN	P.PATEL 01-08-2018
GEN. TOLERANCE AS PER DIN ISO 2768T1 - (C)		CHECKED	A.PATIL 04-08-2018
FROM 0.5 3 6 30 120 400		ENG.APR	H.PATEL 04-08-2018
TO 3 6 30 120 400 1000		MGR.APR	H.PATEL 04-08-2018
TOL ±0.2 ±0.3 ±0.5 ±0.8 ±1.2 ±2.0		UNLESS OTHERWISE SPECIFIED DIMENSIONS ARE IN MILLIMETERS ANGLES ±X.X° 2PL ±X.XX 3PL ±X.XXX	
			
PATH : D:\DRAWING\PRIYANK\SAI MASTER DRAWING		FILE NAME : PANEL CUT OUT DIMENSIONS	
SHEET 1 OF 1		DWG NO :	
SCALE 1 : 1		MATERIAL :	
		QTY :	
		HRC :	
		WEIGHT :	
		REV 00	
		SIZE A2	

Sai INTERNATIONAL
 967/3, GIDC, MAKARPURA, VADODARA - 390010, GUJARAT, INDIA.
 Phone : 9033007899 Email : info@saiinternational.in

NOTE : IF IN DOUBT PLEASE ASK